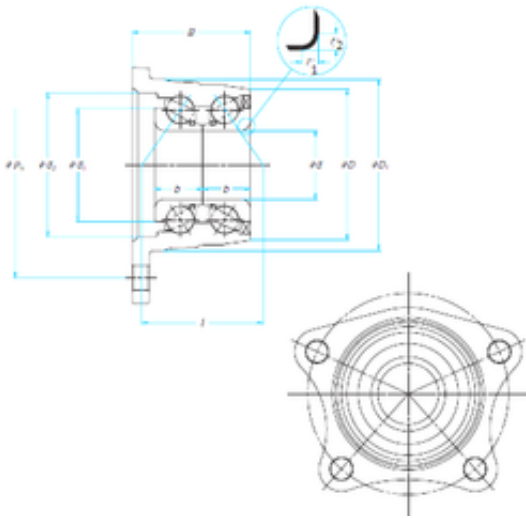




NSK?INDUSTRIA CUSCINETTI S.P.A.



30 mm x 60,5 mm x 51,8 mm NSK EP30BWK16 angular contact ball bearings

Bearing No. EP30BWK16

Bore Diameter	30 mm
d	30 mm
Dr	75 mm
Ph	99 mm
b	21 mm
d1	49,5 mm
d2	63 mm
r1 min.	3,6 mm
r2 min.	3,6 mm
B	51,8 mm
D	60,5 mm
	53,1 Tolerance h14
Weight	1,06 Kg
Basic dynamic load rating (C)	47 kN
Basic static load rating (C0)	35,5 kN

EP30BWK16 Bearing 2D drawings and 3D CAD models