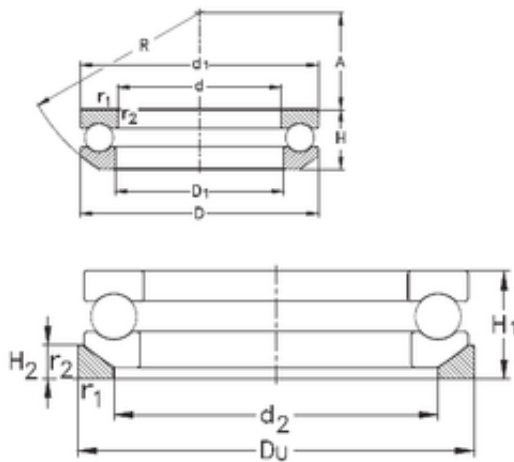




NKE 53318+U318 thrust ball bearings

Bearing No. 53318+U318



53318+U318 Bearing 2D drawings and 3D CAD models

Size	90x155x54.6 mm
Bore Diameter	90 mm
Outer Diameter	155 mm
Width	54,6 mm
d	90 mm
D	155 mm
H	54,6 mm
d1	155 mm
d2	120 mm
r1 min.	1,5 mm
r2 min.	1,5 mm
A	40 mm
D1	93 mm
H1	59 mm
H2	18 mm
R	112 mm
Weight	4,67 Kg
Basic dynamic load rating (C)	196 kN
Basic static load rating (C0)	465 kN