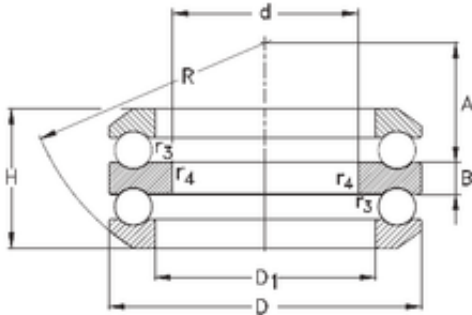




**95 mm x 190 mm x 24 mm NKE 54322-MP
thrust ball bearings**



Bearing No. 54322-MP

Size	95x190x118.4 mm
Bore Diameter	95 mm
Outer Diameter	190 mm
Width	118,4 mm
d	95 mm
D	190 mm
H	118,4 mm
r1 min.	2 mm
r2 min.	2 mm
r3 min.	1 mm
r4 min.	1 mm
A	55 mm
B	24 mm
D1	113 mm
R	140 mm
Weight	12,1 Kg
Basic dynamic load rating (C)	275 kN
Basic static load rating (C0)	720 kN

54322-MP Bearing 2D drawings and 3D CAD models