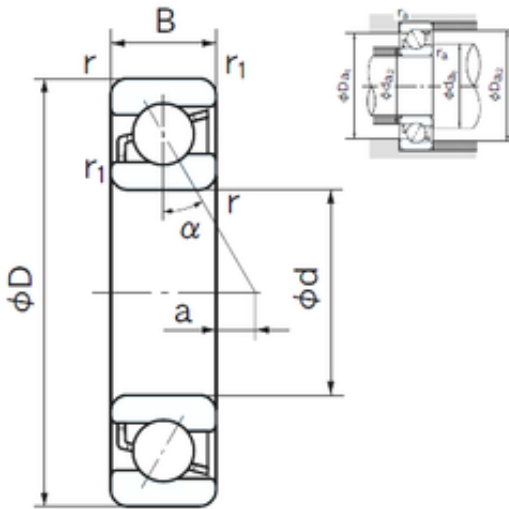




## NSK?INDUSTRIA CUSCINETTI S.P.A.



### 25 mm x 62 mm x 17 mm NACHI 7305C angular contact ball bearings

Bearing No. 7305C

7305C Bearing 2D drawings and 3D CAD models

Size	25x62x17 mm
Bore Diameter	25 mm
Outer Diameter	62 mm
Width	17 mm
d	25 mm
D	62 mm
B	17 mm
C	17 mm
Angle ( ° )	15 °
a -	3.4 mm
r min.	1.1 mm
r1 min.	0.6 mm
da min.	32 mm
Da max.	55 mm
ra max.	1 mm
Weight	0.245 Kg
Basic dynamic load rating (C)	26,6 kN
Basic static load rating (C0)	15,5 kN
(Grease) Lubrication Speed	18000 r/min
Configuration	Single Row
Enclosure	Open
Bore Type	Cylindrical Bore
Bore Size	25 mm
Outside Diameter	62 mm
Width	17 mm



## NSK?INDUSTRIA CUSCINETTI S.P.A.

Fillet Radius/Chamfer	1.1 mm
r1	0.6 mm
a	-3.4 mm
Dynamic Load Rating	26,600 N
Static Load Rating	15,500 N
Limiting Speed - Grease	18,000 rpm
Limiting Speed - Oil	25,000 rpm
da1 (min)	32 mm
da2 (min)	32 mm
Da1 (max)	55 mm
Da2 (max)	57 mm
ra (max)	1 mm
ra1 (max)	0.6 mm