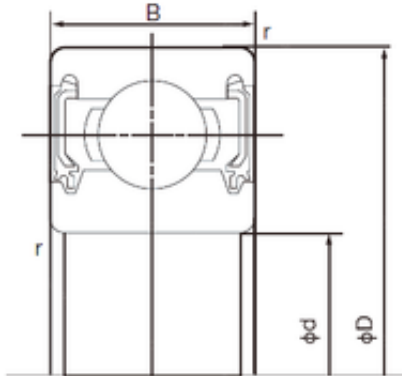




NSK?INDUSTRIA CUSCINETTI S.P.A.

70 mm x 150 mm x 35 mm NACHI 6314-2NKE
deep groove ball bearings



Bearing No. 6314-2NKE

6314-2NKE Bearing 2D drawings and 3D CAD models

Size	70x150x35 mm
Bore Diameter	70 mm
Outer Diameter	150 mm
Width	35 mm
d	70 mm
D	150 mm
B	35 mm
C	35 mm
r min.	2.1 mm
da min.	82 mm
Da max.	138 mm
ra max.	2.0 mm
Weight	2.52 Kg
Basic dynamic load rating (C)	104 kN
Basic static load rating (C0)	68 kN
Bore Type	Cylindrical Bore
Enclosure	Double Seal
Configuration	Single Row
Bore Size	70 mm
Outside Diameter	150 mm
Width	35 mm
Dynamic Load Rating	104,000 N
Static Load Rating	68,000 N
Limiting Speed - Grease	4,600 rpm
Factor fo	13.2



NSK?INDUSTRIA CUSCINETTI S.P.A.

Radial Clearance	0.010 to 0.030 mm
da (min)	82 mm
Da (max)	138 mm
ra (max)	2 mm