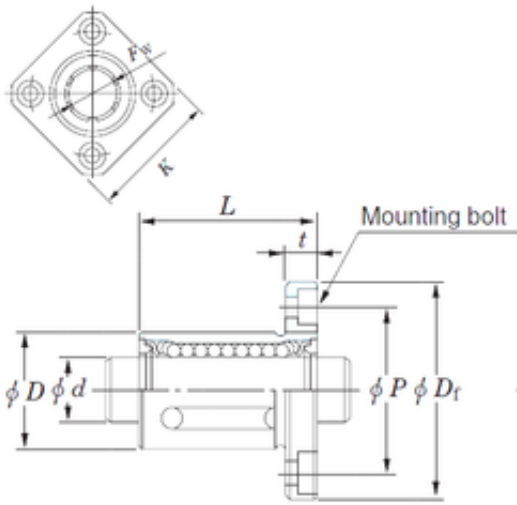




KOYO SDMK16MG linear bearings

Bearing No. SDMK16MG



SDMK16MG Bearing 2D drawings and 3D CAD models

Bore Diameter	16 mm
Outer Diameter	28 mm
Fw	16 mm
D	28 mm
P	38 mm
t	6 mm
D1	48 mm
K	37 mm
L	37 mm
Bolt (G)	M4
Weight	110 Kg
Basic dynamic load rating (C)	480 kN