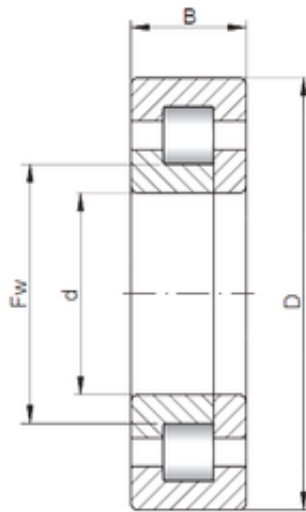




NSK?INDUSTRIA CUSCINETTI S.P.A.



380 mm x 560 mm x 106 mm ISO NUP2076
cylindrical roller bearings

Bearing No. NUP2076

Size	380x560x106 mm
Bore Diameter	380 mm
Outer Diameter	560 mm
Width	106 mm
d	380 mm
D	560 mm
B	106 mm
C	106 mm

NUP2076 Bearing 2D drawings and 3D CAD models