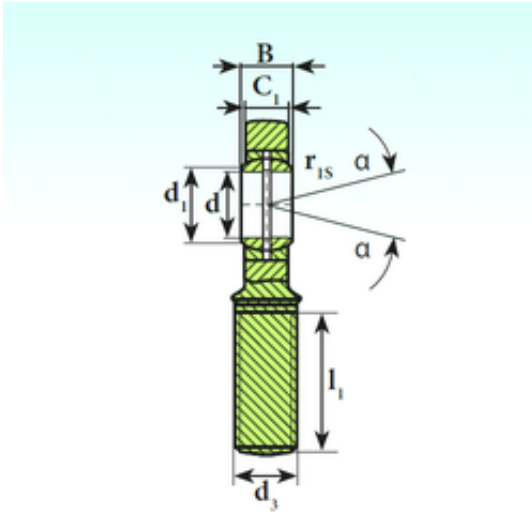




# NSK?INDUSTRIA CUSCINETTI S.P.A.



20 mm x 35 mm x 16 mm ISB SA 20 ES 2RS  
plain bearings

Bearing No. SA 20 ES 2RS

SA 20 ES 2RS Bearing 2D drawings and 3D CAD models

Size	20x35x16 mm
Bore Diameter	20 mm
Outer Diameter	35 mm
Width	16 mm
d	20 mm
D	35 mm
B	16 mm
d1	24,1 mm
d2	53 mm
dk	29 mm
h1	78 mm
l1 min.	43 mm
l2 max.	104,5 mm
l7 min.	27,5 mm
r min.	0,6 mm
C1	13 mm
W	M20x1,5
Angle	9 °
Weight	0,31 Kg
Basic dynamic load rating (C)	30 kN