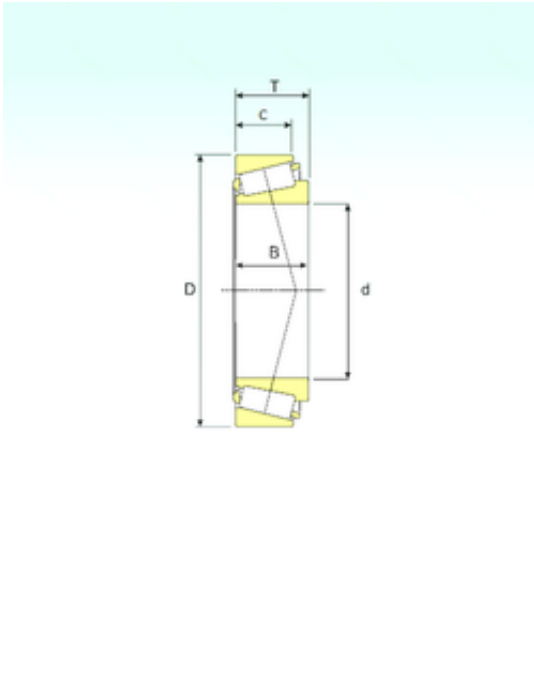




## NSK?INDUSTRIA CUSCINETTI S.P.A.



33024 Bearing 2D drawings and 3D CAD models

120 mm x 180 mm x 48 mm ISB 33024 tapered roller bearings

Bearing No. 33024

Size	120x180x48 mm
Bore Diameter	120 mm
Outer Diameter	180 mm
Width	48 mm
d	120 mm
D	180 mm
T	48 mm
B	48 mm
C	38 mm
Weight	4,2 Kg
Basic dynamic load rating (C)	286 kN
Basic static load rating (C0)	529 kN
(Grease) Lubrication Speed	2601 r/min