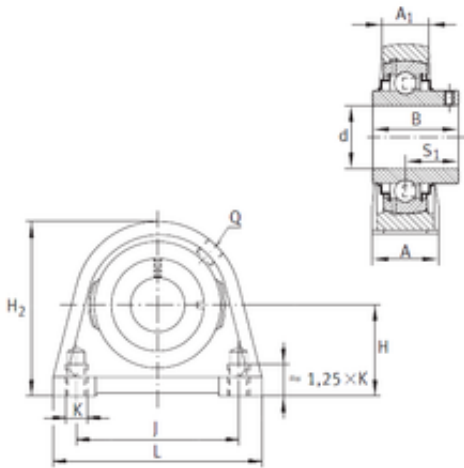




**INA RSHEY60-N bearing units**

Bearing No. RSHEY60-N



RSHEY60-N Bearing 2D drawings and 3D CAD models

Bore Diameter	60 mm
d	60 mm
Thread (Q)	Rp1/8
Thread (K)	M16
A	60 mm
A1	42 mm
B	65,1 mm
H	69,9 mm
H2	140 mm
J	118 mm
L	150 mm
S	39,7 mm
Weight	3,9 Kg
Basic dynamic load rating (C)	52 kN
Category	Pillow Block Bearings
Inventory	0.0
Manufacturer Name	SCHAEFFLER GROUP
Minimum Buy Quantity	N/A
Weight / Kilogram	5.736
Product Group	M06110
Number of Mounting Holes	2
Mounting Method	Set Screw
Housing Style	2 Bolt Tap Base Pillow Block
Rolling Element	Ball Bearing
Housing Material	Cast Iron
Expansion / Non-expansion	Non-expansion



## NSK?INDUSTRIA CUSCINETTI S.P.A.

Mounting Bolts	16 Millimeter
Relubricatable	Yes
Insert Part Number	GYE60KRRB
Seals	Double Land Riding Rubber Contact
Housing Configuration	1 Piece Solid
Inch - Metric	Metric
Other Features	Single Row   Radial   Metric   With Grub Screw
Long Description	2 Bolt Tap Base Pillow Block; 60MM Bore; 70MM Base to Center Height; Set Screw Mount; Ball Bearing; Relubricatable; Cast Iron; Double Land Riding Rubber Contact; Non-expansion
Category	Pillow Block
UNSPSC	31171511
Harmonized Tariff Code	8483.20.40.40
Noun	Bearing
Keyword String	Pillow Block
Manufacturer URL	<a href="http://www.ina.com">http://www.ina.com</a>
Manufacturer Item Number	RSHEY60
Weight / LBS	8.598
Nominal Bolt Center to Center	4.6 Inch   118 Millimeter
Bore	2.362 Inch   60 Millimeter
Base to Center Height	2.756 Inch   70 Millimeter
Length Thru Bore	2.563 Inch   65.1 Millimeter
Actual Bolt Center to Center	4.6 Inch   118Millimeter