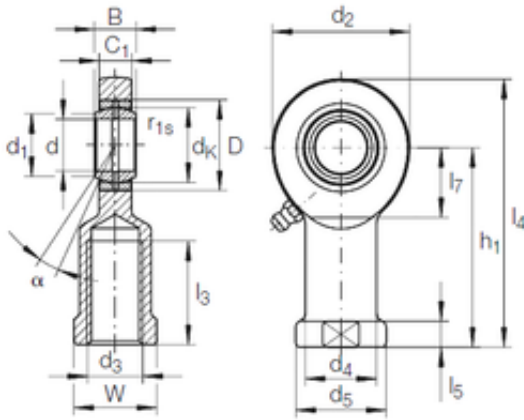




NSK?INDUSTRIA CUSCINETTI S.P.A.

35 mm x 55 mm x 25 mm INA GIR 35 DO-2RS plain bearings



GIR 35 DO-2RS Bearing 2D drawings and 3D CAD models

Bearing No. GIR 35 DO-2RS

| | |
|-------------------------------|-------------|
| Size | 35x55x25 mm |
| Bore Diameter | 35 mm |
| Outer Diameter | 55 mm |
| Width | 25 mm |
| d | 35 mm |
| D | 55 mm |
| B | 25 mm |
| d1 | 39,7 mm |
| d2 | 82 mm |
| d4 | 47 mm |
| dk | 47 mm |
| h1 | 125 mm |
| l3 min. | 60 mm |
| l4 max. | 166 mm |
| l5 | 15 mm |
| l7 min. | 42 mm |
| r1 min. | 0,6 mm |
| C1 | 21 mm |
| W | 50 mm |
| Thread (G) | M36X3 |
| Angle | 6 ° |
| d5 | 58 r/min |
| Weight | 1,3 Kg |
| Basic dynamic load rating (C) | 80 kN |