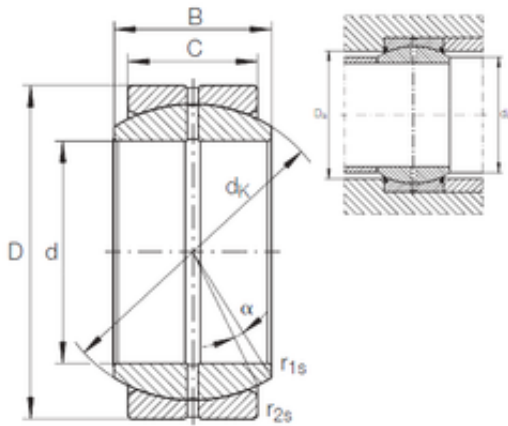




NSK?INDUSTRIA CUSCINETTI S.P.A.

90 mm x 130 mm x 60 mm INA GE 90 DO plain bearings



Bearing No. GE 90 DO

| | |
|-------------------------------|--------------|
| Size | 90x130x60 mm |
| Bore Diameter | 90 mm |
| Outer Diameter | 130 mm |
| Width | 60 mm |
| d | 90 mm |
| D | 130 mm |
| B | 60 mm |
| C | 50 mm |
| dk | 115 mm |
| r1 min. | 1 mm |
| r2 min. | 1 mm |
| da max | 98,1 mm |
| Da min | 108 mm |
| Angle | 5 ° |
| Weight | 2,7 Kg |
| Basic dynamic load rating (C) | 490 kN |

GE 90 DO Bearing 2D drawings and 3D CAD models