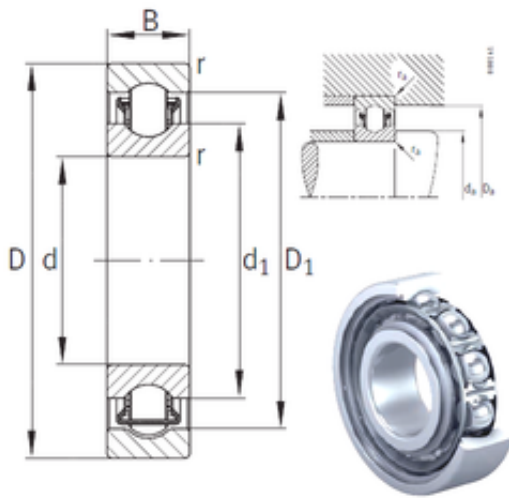




NSK?INDUSTRIA CUSCINETTI S.P.A.



BXRE306 Bearing 2D drawings and 3D CAD models

30 mm x 72 mm x 19 mm INA BXRE306 needle roller bearings

Bearing No. BXRE306

Size	30x72x19 mm
Bore Diameter	30 mm
Outer Diameter	72 mm
Width	19 mm
d	30 mm
D	72 mm
B	19 mm
C	19 mm
d1	44,7 mm
r min.	1,1 mm
D1	59,3 mm
da min.	37 mm
Da max.	65 mm
ra max.	1 mm
Weight	0,371 Kg
Basic dynamic load rating (C)	42 kN
Basic static load rating (C0)	27 kN
Fatigue load limit (Pu)	1 370
Reference speed	7 100 r/min